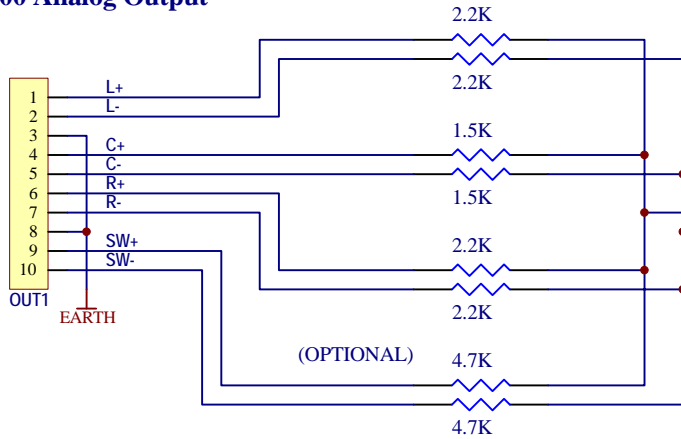


From JSD-100 Analog Output

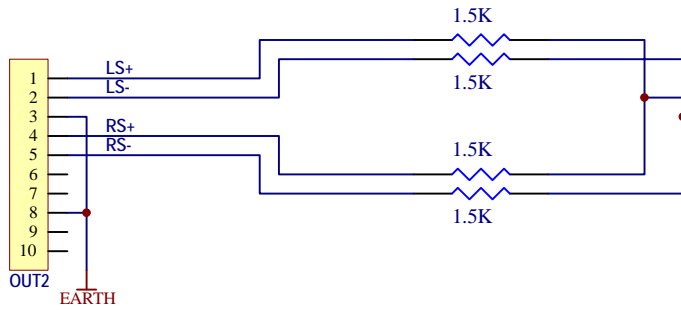


Radio Shack Part Numbers, 1/2W, 5%
 Sold in packs of 5 for \$1
 1.5K 271-1120
 2.2K 271-1121
 4.7K 271-1124

To AMP

(10K Input Impedance, both sides)

Amp Input Level = $0.27L + 0.40C + 0.27R + 0.10SW$
 Center is about 8dB less with this network



To AMP

(10K Input Impedance, both sides)

Amp Input Level = $0.47LS + 0.47RS$

Title		
MONO SUM NETWORK		
Size	Number	Revision
A		
Date:	2-Feb-2011	Sheet of
File:	C:\Documents and Settings\bdunn\My Documents\Projects\Test_Fixtures\CenterSurround Summer\Mono Sum circuit.	